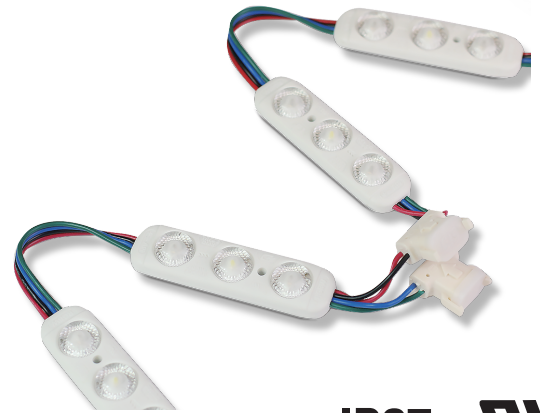


TRICO 2 RGBW

Channel Letter Solutions

Specifications

Viewing Angle	170° Optics
Input Voltage	12VDC
Watts	0.8W RGB/W, 1.6W RGBW
Colors	RGB/White(6500k)
Model	HHL D Series
Modules/Foot	2Mods/Ft
IC Chip	SM18511
Protection Grade	IP67
Packaging	30pcs/chain, 2 chains/bag. 600pcs/case
Warranty	5 Year (Product) / 1 Year (Labor)
Operating Temp.	-40° ~ +60 °C / -40° ~ +140 °F
Storage Temp.	-40° ~ +70 °C / -40° ~ +158 °F



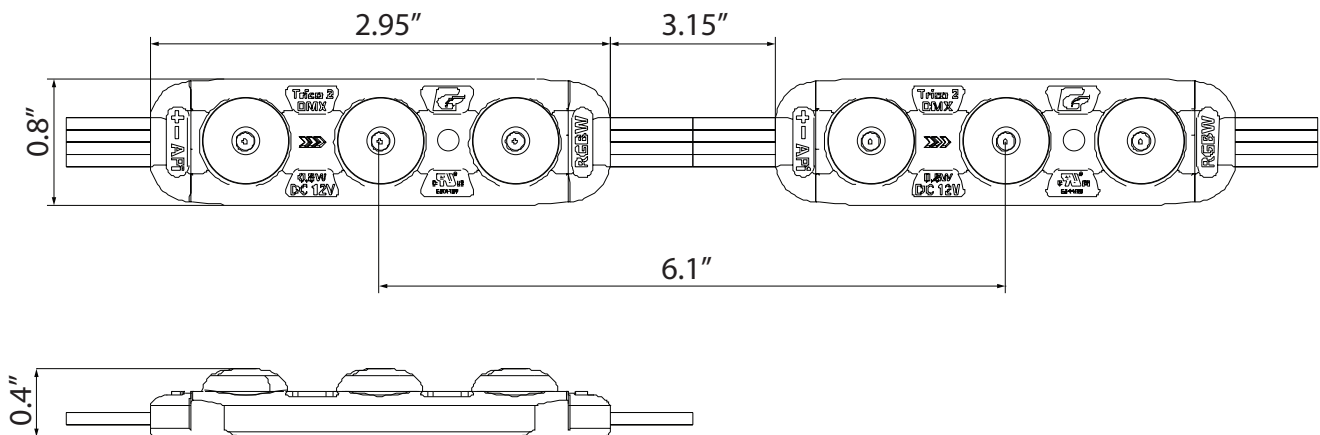
IP67 **US**
E344189



Benefits

- Quick Installation System (QIS) enabled.
- Designed for Small to large Channel letters.
- UV and IR Protected
- 3M double face tape and mechanical mounting options.

Drawings



(Unit: inch)